

Data sheet: *PlafLED* SERIES

rev.07/18



Product Description

PlafLED is a durable and high efficient solution for a variety of industrial and commercial applications; due to its anodized extruded aluminium housing, the luminaire has an optimal thermal dissipation and a longer lifetime; in terms of diffusers, you can choose between a tempered glass shield or a polycarbonate one, depending on the type of the installing environment: tempered glass shields ensure resistance to chemical substances, thermal shocks and collision while the polycarbonate version makes the device suitable for food industries.



Applications: Warehouses, manufacturing facilities, commercial facilities, exhibitions, food industry, show rooms

Suggested installation heights: 118.11in < H < 275.6 in

Technical features

Luminaire luminous flux: 5,250 lm / 6,600 lm / 6,900 lm / 8,350 lm / 10,315 lm

Effective absorption: 39 - 75 W

Light Source: LED SAMSUNG (MPL G1)

Efficiency light source: up to 146 lm/W

Color Rendering Index (CRI): 80 CRI minimum

Color Correlated Temperature (CCT): 3,000K | 4,000K (Std) | 5,000K

Input voltage and frequency range: 108 – 300Vac; 47 - 63 Hz

Driver (built-in): PHILIPS

Insulation Class: CLASS I

Power Factor: > 0.9

Expected operational life: L70 > 72,000h @ Ta=25°C (IES TM-21-11 Prediction)

Dimensions: Length L x 7.28 in x 2.28 in (L= 23.62 or 47.24 in)

Weight: 5.5 lb or 12.4 lb according to the length L

Materials: body made of anodized extruded aluminium; stainless steel screws

Diffuser material: tempered glass

Installation: suspended mounting or ceiling mounting

Operating temperature: -4 to 113°F

Environment protection rating: Damp Location – IP65

Luminous flux dimming: 0-10V

Standard(s): Luminaires [UL 1598:2008 Ed.3 +R:17Oct2012]
Luminaires (R2013) [CSA C22.2#250.0:2008 Ed.3 +G1;G2]

Standard equipment: luminaire provided with a 3-pole power supply cable (40 inch long) and mounting hooks

Accessories (on demand): suspension- or ceiling mounting set; movement- or light detector

Diffusers (on demand): matt- or transparent.

Colour: SILVER GREY (Std) ; others customizable

Warranty: 5 YEARS

CLASS 2

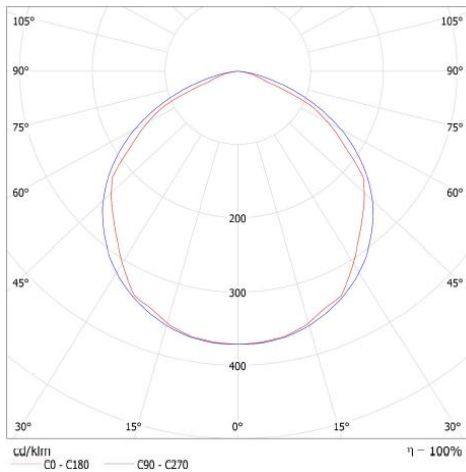


Data sheet: *Plaf*LED SERIES

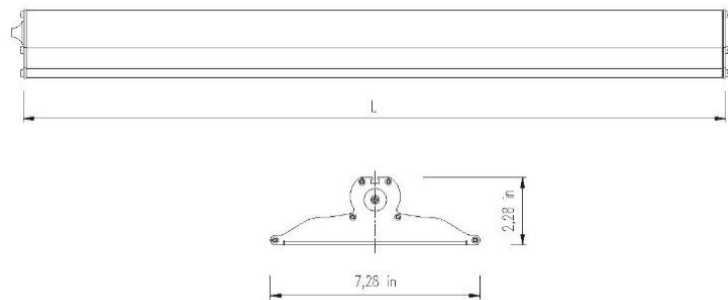
rev.07/18



Standard Photometry



Dimensions



Standard products

Code product	Model	Screen	Dimension	Luminous Flux	Power
0233 2000 4900	MC40VS602_G49_O	VS: satin finish glass	23.62 x 7.28 x 2.28 in	5,250 lm	39 W
0233 2000 4910	MC40VS602_G49_D				
0233 2100 7000	MC40VS603_G70_O	VS: satin finish glass	23.62 x 7.28 x 2.28 in	6,900 lm	51 W
0233 2100 7010	MC40VS603_G70_D				
0133 2100 6100	MB40VS603_G61_O	VS: satin finish glass	23.62 x 7.28 x 2.28 in	6,600 lm	52 W
0133 2100 6110	MB40VS603_G61_D				
0134 3200 8100	MB40VT124_G81_O	VT: trasparente glass	47.24 x 7.28 x 2.28 in	8,350 lm	65 W
0134 3200 8110	MB40VT124_G81_D				
0234 3200 9800	MC40VT124_G98_O	VT: trasparente glass	47.24 x 7.28 x 2.28 in	10,315 lm	75 W
0234 3200 9810	MC40VT124_G98_D				

Thanks to the flexibility of this range, other products with various power and luminous flux are possible on request.
Due to the technological evolution, luminous flux and power can show a tolerance of +/- 10% with reference to the reported values.



Sangalli Technologies S.r.l.
SOCITA' A SOCIO UNICO
Via Roveredo,1/A (INT. 13)
33170 PORDENONE - ITALIA



Sangalli Technologies USA LLC
511 S 93rd Avenue
68114 OMAHA - NE - USA