

**Sangalli Technologies S.r.l.**  
SOCIETÀ A SOCIO UNICO  
Via Roveredo,1/A (INT. 13)  
33170 PORDENONE - ITALIA



**Sangalli Technologies USA LLC**  
511 S 93rd Avenue  
68114 OMAHA - NE - USA

[www.sangallitechnologies.com](http://www.sangallitechnologies.com) - [commeriale@sangallitechnologies.com](mailto:commeriale@sangallitechnologies.com) - +39 0434 370755



**LED solutions for industrial lighting:  
durability, efficiency and cost savings**





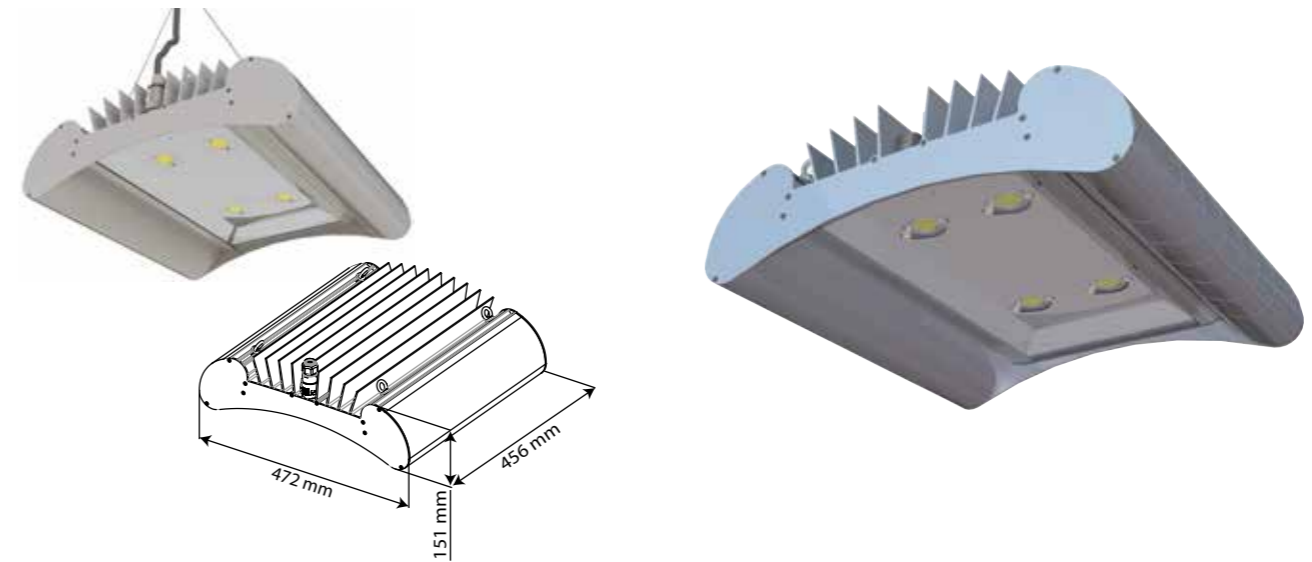
## Benefits


Sangalli Technologies designs, develops, and manufactures three main types of LED light fixtures, which guarantee the best performance thanks to:

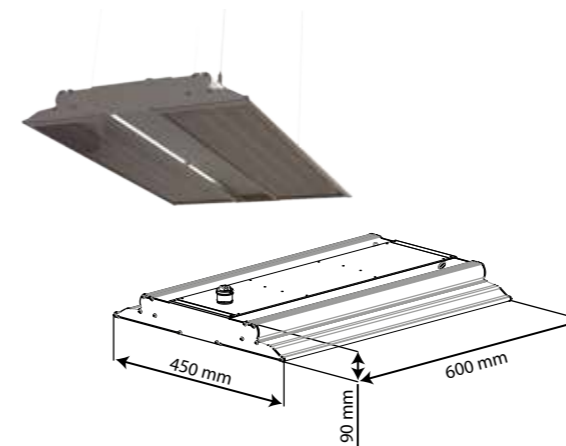
- Anodized extruded aluminum structure, which gives strength, durability and safety;
- Screens constructed using either tempered glass, providing resistance to chemical agents and oils, or using polycarbonate;
- Electronic components of proven quality and reliability;
- Mechanical and electrical wiring suitable for the timely replacement of conventional lighting fixtures.




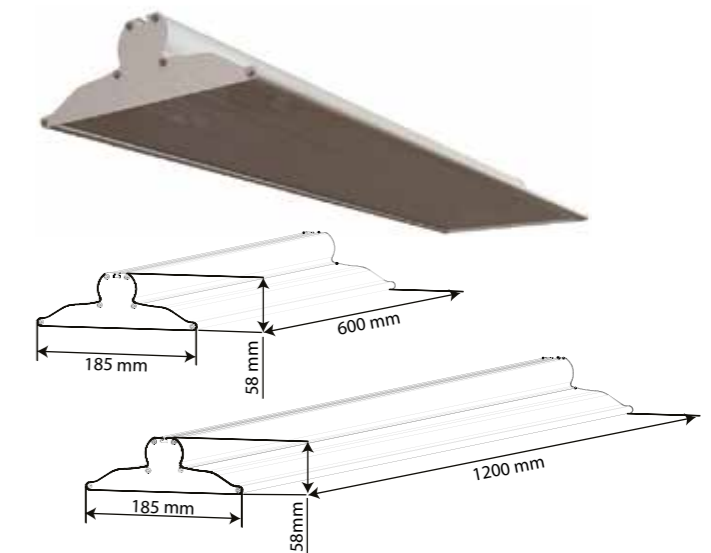
**SteLED** (Power range: 145-170W)   (Available also in the **High Temperature version 65°C**)



**UraLED** (Power range: 100-115W) 



**PlafoLED** (Power range: 39-75W) 



## Models

- **SteLED**  
Suitable for applications with significant height, usually more than 6 meters (20 feet), and where homogeneous lighting is required.
- **PlafoLED**  
Perfectly suited for the replacement of ceiling lamps and developed for lighting solutions with medium to low flux. Versatile product, technically and aesthetically, with the flexibility for future additions.
- **UraLED**  
Lighting structures with medium/low flux that cover the intermediate range between SteLED and PlafoLED.

## Solutions

Sangalli Technologies LED light fixtures are designed for industrial environments; each range starts from a 'basic platform' that is customizable, depending on the specific needs of the customer. The following characteristics can be customized:

- Luminous flux
- Temperature color (TCC)
- Color rendering index (CRI)
- Type of light source
- Optical system
- Intelligence (dimming, Wi-Fi connectivity, etc.)
- Screen
- Structure color.



Sangalli Technologies USA keep a significant inventory in a warehouse in Allentown (PA) in order to fulfill a regular order in a minimum amount of time. For customized orders or significant amount of fixtures, other than our stock in Pennsylvania, in Italy we keep key components for the North American market ready to be assembled and shipped in few weeks.

