

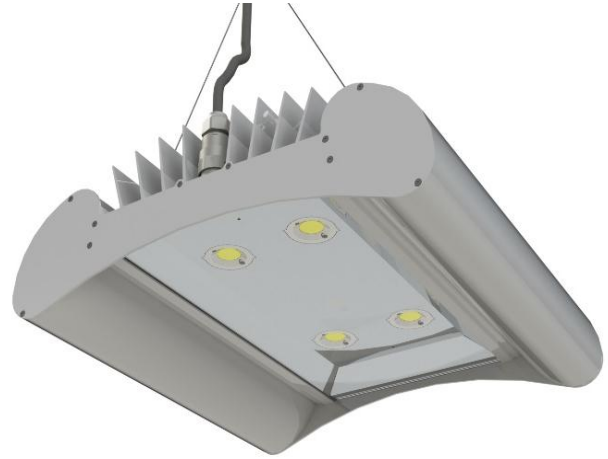
Data sheet: *SteLED* SERIES

rev.03/18



Product description

SteLED high bay is a durable and high efficient solution for a variety of industrial and commercial applications. Due to its extruded anodized aluminium housing STELed has an optimal thermal control and a longer system life; in terms of diffusers, you can choose between a tempered glass shield or a polycarbonate one, depending on the type of the installing environment: tempered glass shields ensure resistance to chemical substances, thermal shocks and collision while the polycarbonate version makes the device suitable for food industries. Two integrated drivers ensure an uninterrupted power supply in case one of the drivers breaks down.



Applications: Warehouses, manufacturing facilities, commercial facilities, exhibitions, food industry.

Suggested installation heights: $7m < H < 10m$ ($>10m$ with lenses)

Technical features

Luminaire Luminous flux: 14500 ÷ 32000 lm

Power range: 105 ÷ 240 W

Light source: CITILED COB

Light source efficacy: up to 164 lm/W

Colour Rendering Index (CRI): > 70

Colour Correlated Temperature (CCT): 3000 K, 4000 K, 5000 K (Std)

Light emission: 100°(std), 60°(CONCENTRATE)

Input voltage range and frequency: 110 ÷ 300 Vac / 47 ÷ 63 Hz

Driver (built-in): MEANWELL

Insulation class: SELV - CLASS II

Power factor: > 0,9

Lifetime: L80 > 90.000h @ Ta=45°C (IES TM-21-11 Prediction)

Dimensions: L x 472 mm x 151 mm (L=456/606mm)

Materials: Luminaire body made by anodized aluminium; stainless steel screws

Diffuser material: tempered glass or polycarbonate.

Weight: 10,7 – 13,3 kg (depending on the length L)

Operating Temperature: -20 ÷ 45°C (65°C mod. HighTemperature)

IP protection: IP65

Luminous flux dimming (on demand): DALI - 1÷10 Vdc

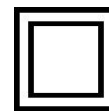
Reference Standards: EN60598-1, EN60598-2-1, EN62471, EN62031, EN61547, EN61000-3-2 (C class)

Standard equipment: luminaire provided with a 3-pole plug for a fast power supply connection and hooks to make easier the installation

Diffusers on demand: transparent or satin glass (Std), transparent polycarbonate, matt polycarbonate and frosted polycarbonate.

Colour: Anodized SILVER GREY (Std); others customizable

Warranty: 5 YEARS



SELV



IP 65



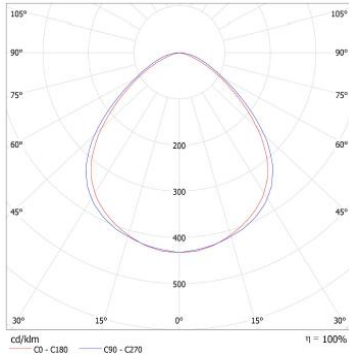
IK 08

Data sheet: *SteLED* SERIES

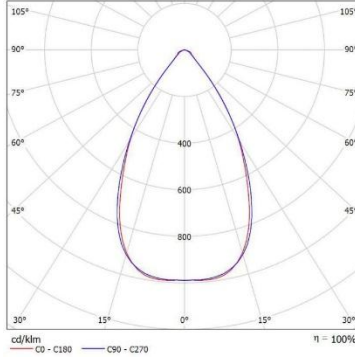
rev.03/18



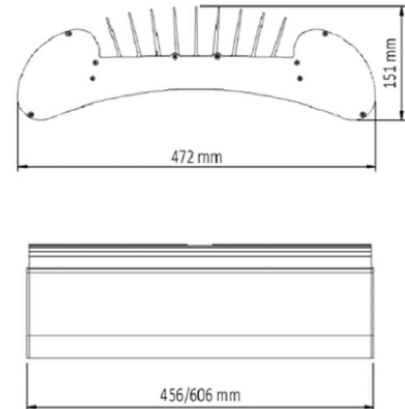
Symmetry 100° (std)



Symmetry 60°



Dimensioni



Prodotti standard

Code product	Model	Screen	Dimension	Luminous Flux	Power
0343 1400 1620	A50VS45C_G16	Satin finish glass	456 x 472 x 151mm	14500 lm	105 W
0343 1400 2220	A50VS45C_G22	Satin finish glass	456 x 472 x 151mm	19500 lm	145 W
0343 1400 2520	A50VS45C_G25	Satin finish glass	456 x 472 x 151mm	23000 lm	175 W
0343 2400 3120	A50VS60C_G31	Satin finish glass	600 x 472 x 151mm	28500 lm	210W
0343 2400 4020	A50VS60C_G40	Satin finish glass	600 x 472 x 151mm	32000 lm	240 W
0443 1400 2220	H50VS45C_G22	Satin finish glass	456 x 472 x 151mm	19425 lm	153 W

Thanks to product flexibility we can adjust the luminaire with specific values of power or luminous flux (within the allowable range).
Due to the technological evolution, luminous flux and power can show a tolerance of +/- 10% with reference to the reported values.



Sangalli Technologies S.r.l.
SOCITA' A SOCIO UNICO
Via Roveredo, 1/A (INT. 13)
33170 PORDENONE - ITALIA



Sangalli Technologies USA LLC
511 S 93rd Avenue
68114 OMAHA - NE - USA